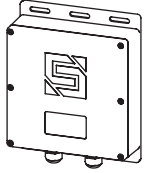





**1** Unpack box and make sure you have all items shown here.



Ascent Unit

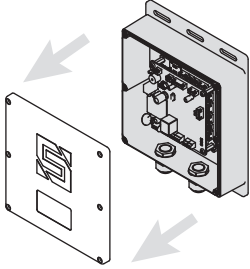


12-V AC/DC Adapter



Screwdriver

**2** Remove screws and open unit cover for wiring and setup.



**IMPORTANT**

This Ascent unit **WILL NOT WORK** until the activation process is **COMPLETE!**

See the included **Activation Guide** to get this unit activated.

If you need help or have any questions, please contact **Summit Control** at **(972) 474-6422**.

**WARNING**

**AUTOMATIC GATES CAN CAUSE SERIOUS INJURY OR DEATH!**

**ALWAYS CHECK THAT THE GATE PATH IS CLEAR BEFORE OPERATING!**

**REVERSING OR OTHER SAFETY DEVICES SHOULD ALWAYS BE USED!**

**STOP**

This is a cellular accessory for a gate or door. An uninterrupted cellular connection **CANNOT BE GUARANTEED!**

An emergency egress or primary entry mechanism **SHOULD ALWAYS BE USED!** (transmitter, fire box, mechanical release)

Consult with your dealer, distributor, and/or system designer for more information.

**IMPORTANT**

If mounting in a location that will shield the puck antenna, the **4G LTE Antenna Extension Kit (Model 16-ANTX-1)** should be purchased and installed.

**Failure to do so may result in NO SIGNAL!**

**CAUTION**

Leave the "hockey puck" antenna in place even if using an antenna extension.

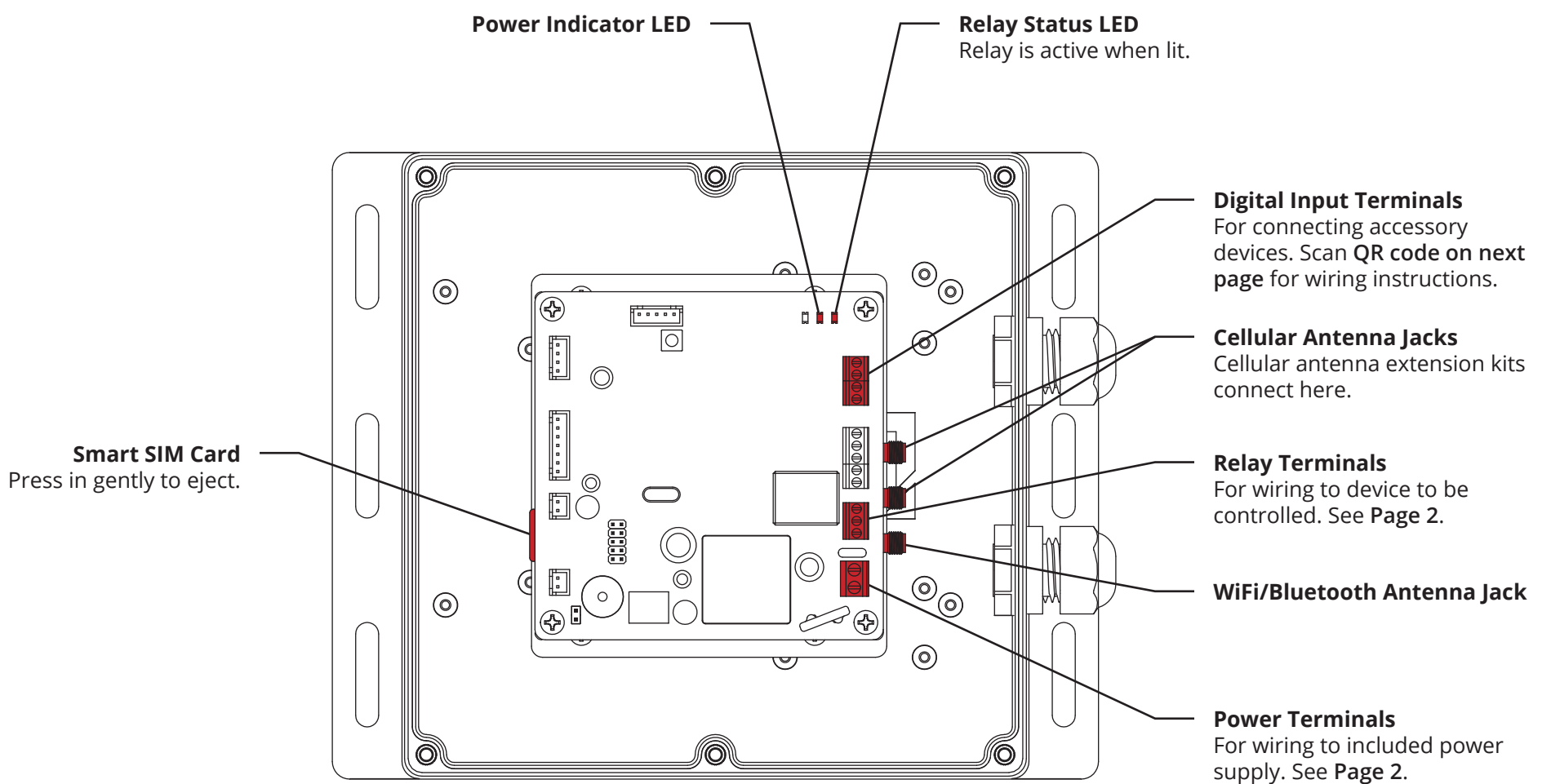
Seal all openings created in the enclosure.

**Failure to follow these instructions can damage the unit!**

## What's what?

All important components labeled

Unit shown with cover removed. Internal wiring not shown for clarity.



**NEED HELP**

Call (972) 474-6422  
Email [support@summitcontrol.com](mailto:support@summitcontrol.com)  
We are available **Mon-Fri / 8am-5pm Central**



