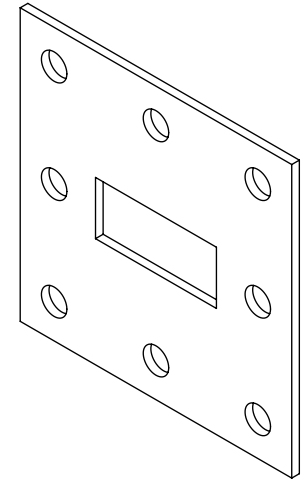
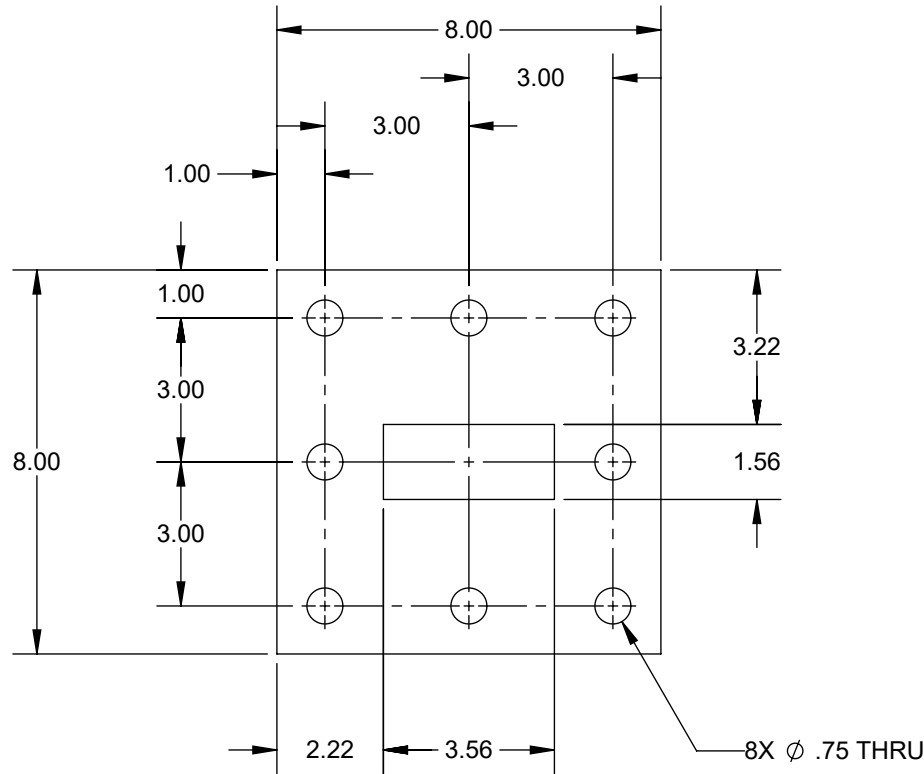



NOTES:

1. REMOVE ALL BURRS AND SHARP EDGES.

REVISION			
REV	DESCRIPTION	DATE	APPROVED
A	INITIAL RELEASE	9/18/2017	JW



UNLESS OTHERWISE SPECIFIED:		NAME	DATE	 SECURITY BRANDS INC PO BOX 743996 DALLAS, TX 75374 (USA) (214) 710-3664		
DIMENSIONS ARE IN INCHES TOLERANCES: FRACTIONAL $\pm 1/16$ ANGULAR: MACH $\pm 1^\circ$ BEND $\pm 3^\circ$.XX $\pm .03$.XXX $\pm .010$		DRAWN	JW 9/8/2017			
		CHECKED	CB 9/8/2017			
		ENGINEERING	JW 9/8/2017			
DIMENSIONS AND TOLERANCES PER ASME Y14.5M-2004		Q.A.	-	TITLE		
MATERIAL MILD STEEL, 6 MM		PROPRIETARY AND CONFIDENTIAL THE INFORMATION CONTAINED IN THIS DRAWING IS THE SOLE PROPERTY OF SECURITY BRANDS, INC. AND/OR ITS SUBSIDIARIES. REPRODUCTION IN PART OR IN WHOLE WITHOUT THE WRITTEN PERMISSION OF SECURITY BRANDS, INC. IS PROHIBITED.		BASE PLATE - PEDESTAL - DUAL HEIGHT		
FINISH PRE-GALVANIZED				SIZE	DWG. NO.	REV
DO NOT SCALE DRAWING				A	-	A
		SCALE: 1:4		SHEET 1 OF 1		