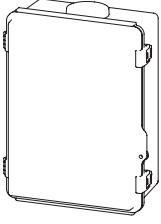





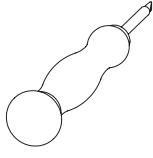
1 Unpack box and make sure you have all items shown here.



Ascent Unit

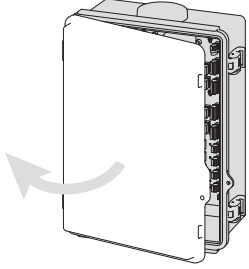


24-V AC/DC Adapter



Screwdriver

2 Unlatch and open unit door for wiring and setup.



IMPORTANT

This Ascent unit **WILL NOT WORK** until the activation process is **COMPLETE!**

See the included **Activation Guide** to get this unit activated.

If you need help or have any questions, please contact **Summit Control** at **(972) 474-6422**.

WARNING

AUTOMATIC GATES CAN CAUSE SERIOUS INJURY OR DEATH!

ALWAYS CHECK THAT THE GATE PATH IS CLEAR BEFORE OPERATING!

REVERSING OR OTHER SAFETY DEVICES SHOULD ALWAYS BE USED!

STOP

This is a cellular accessory for a gate or door. An uninterrupted cellular connection **CANNOT BE GUARANTEED!**

An emergency egress or primary entry mechanism **SHOULD ALWAYS BE USED!** (transmitter, fire box, mechanical release)

Consult with your dealer, distributor, and/or system designer for more information.

IMPORTANT

If mounting in a location that will shield the puck antenna, the **4G LTE Antenna Extension Kit (Model 16-ANTX-1)** should be purchased and installed.

Failure to do so may result in NO SIGNAL!

CAUTION

Leave the "hockey puck" antenna in place even if using an antenna extension.

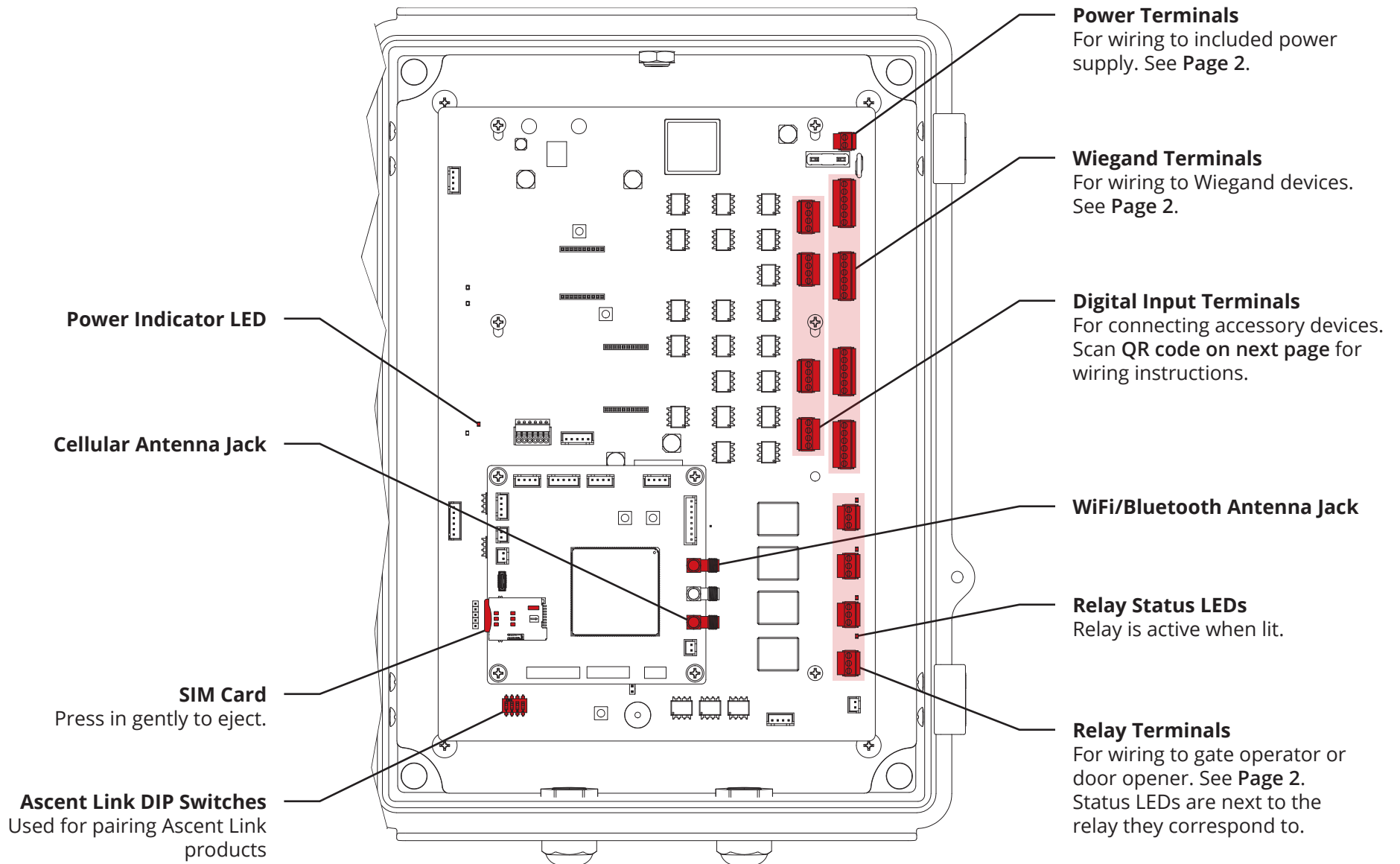
Seal all openings created in the enclosure.

Failure to follow these instructions can damage the unit!

What's what?

All important components labeled

Unit shown with door fully open. Internal wiring not shown for clarity.



NEED HELP

Call (972) 474-6422
 Email support@summitcontrol.com
 We are available **Mon-Fri / 8am-5pm Central**



3 Connect wires

Feed wires through cable gland(s), and connect as shown using included screwdriver.

Consult gate/door opener manual for exact connections. Terminals vary widely across manufacturers and models.

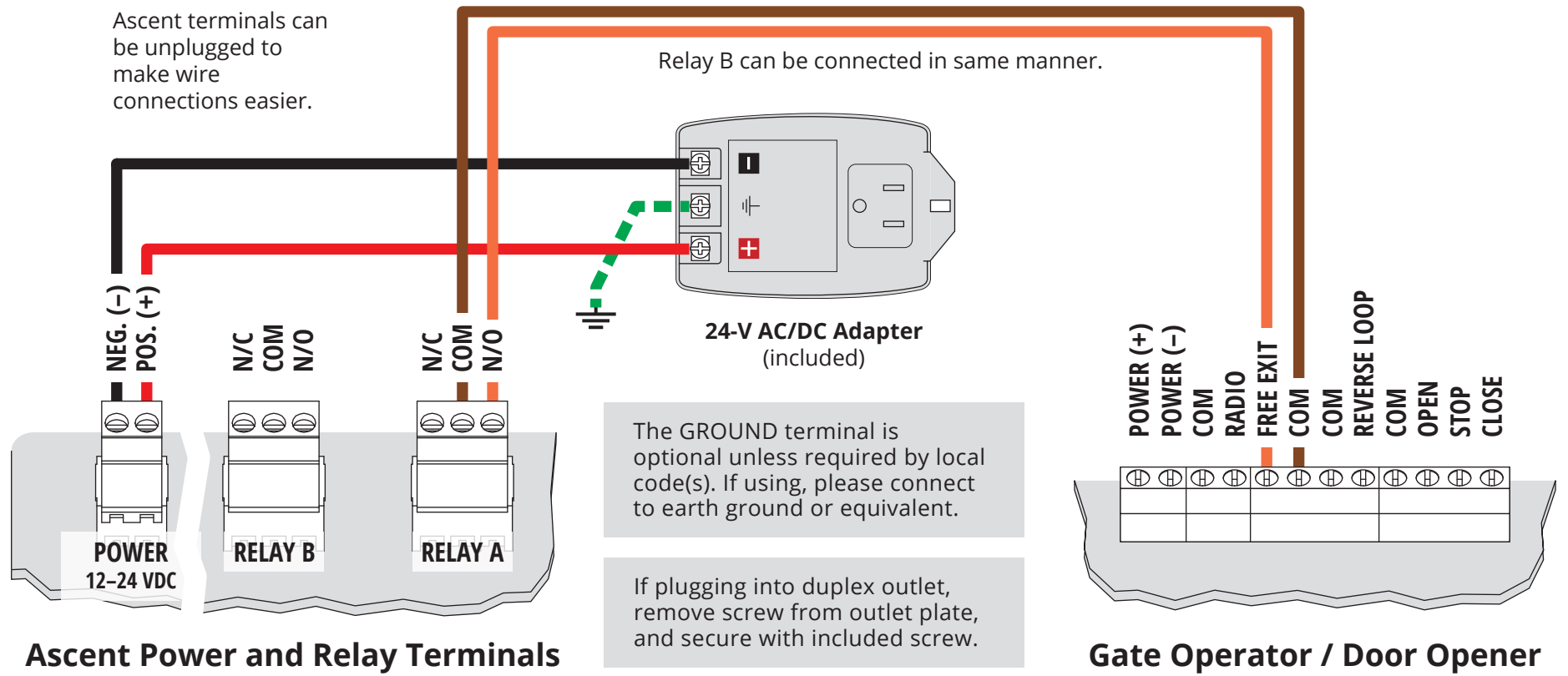
Additional wiring diagrams can be found below and online.

CAUTION

When connecting the power supply, remember to connect positive to positive and negative to negative to avoid damage.

Reversing polarity can damage the unit and void the warranty!

We recommend using 18-gauge stranded wire for all connections.



STOP

Before going forward, double check all wiring and make sure the unit has power! A wiring diagram for connecting to Wiegand devices can be found below.

For connecting accessories not mentioned, please scan the QR code on this page.

4 Tighten cable gland locknuts, and then close and latch door of unit.

INSTALLATION COMPLETE!

Now follow the **Activation Guide** to create an account and begin using Ascent.

A Wiegand Device

Feed wires through one or both cable glands, and connect as shown using included screwdriver.

These terminals are used to connect a Wiegand device such as a card reader or Wiegand keypad.

Any set of Wiegand terminals can be used for wiring and then configured in Summit Control.

CAUTION

Disconnect power to the Ascent unit before connecting Wiegand devices.

Failure to disconnect power can damage the unit!

Need More?

Use the QR code below to get access to more resources, including how-to videos and additional wiring diagrams for connecting accessory devices.

Ascent terminals can be unplugged to make wire connections easier.

