



**1** Unpack box and make sure you have all items shown here.

Ascent Unit    24-V AC/DC Adapter    Key    Screwdriver    4G LTE Antenna Extension Kit, 5 Foot

### Antenna Cable Reference

**4G**  
Connect to board (MAIN ANT)

**WIFI**  
Connect to board (WIFI&GNSS ANT)

**ISM**  
For Ascent Link (See Install Guide)

**2** Measure and make cutout in wall or surface where desired. (If mounting in drywall, make sure a stud is available.)

Rough-In Size:  
15-1/4" (H)  
6-7/8" (W)

**3** Unlock and open unit for mounting, wiring, and setup. (Remove preferred knockouts now, if you like, or do it later.)

**4** Gently slide Ascent unit into opening until trim ring is flush against wall/surface.

**5** Mount antenna in unobstructed location, run cables into back box, and connect (see Antenna Cable Reference).

**a** If you need more reach, you may consider the 4G LTE 25-ft Omni Antenna Extension Kit (16-ANTOMNI).

**b**

**IMPORTANT**

This Ascent unit **WILL NOT WORK** until the activation process is **COMPLETE!**

See the included **Activation Guide** to get this unit activated.

If you need help or have any questions, please contact **Summit Control** at (972) 474-6422.

**WARNING**

**AUTOMATIC GATES CAN CAUSE SERIOUS INJURY OR DEATH!**

**ALWAYS CHECK THAT THE GATE PATH IS CLEAR BEFORE OPERATING!**

**REVERSING OR OTHER SAFETY DEVICES SHOULD ALWAYS BE USED!**

**6** Secure Ascent unit by screwing into stud(s) or other support material. (Mounting hardware not included)

Drill holes in back box first, and then mount using screws suitable for material (e.g., wood screws).

ISM antenna cable is only connected when using Ascent Link products.

**STOP**

This is a cellular accessory for a gate or door. An uninterrupted cellular connection **CANNOT BE GUARANTEED!**

An emergency egress or primary entry mechanism **SHOULD ALWAYS BE USED!** (transmitter, fire box, mechanical release)

Consult with your dealer, distributor, and/or system designer for more information.

### What's what?

All important components labeled

Unit shown with door fully open. Internal wiring not shown for clarity.

- Ascent Link DIP Switches**  
Used for pairing Ascent Link products
- Digital Input Terminals**  
For connecting accessory devices. Scan QR code on next page for wiring instructions.
- WiFi Antenna Jack**  
Connect "WIFI" antenna cable here
- Cellular Antenna Jack**  
Connect "4G" antenna cable here
- Wiegand Terminals**  
For wiring to Wiegand devices. See Page 2.
- Relay Terminals**  
For wiring to gate operator or door opener. See Page 2.
- Power Terminals**  
For wiring to included power supply. See Page 2.

**SIM Card**  
Press in gently to eject.

**Power Indicator LED**

**NEED HELP**

Call (972) 474-6422  
Email [support@summitcontrol.com](mailto:support@summitcontrol.com)  
We are available **Mon-Fri / 8am-5pm Central**

Flip page to continue...

## 7 Connect wires

Feed wires through pass-through(s), and connect as shown using included screwdriver.

Consult gate/door opener manual for exact connections. Terminals vary widely across manufacturers and models.

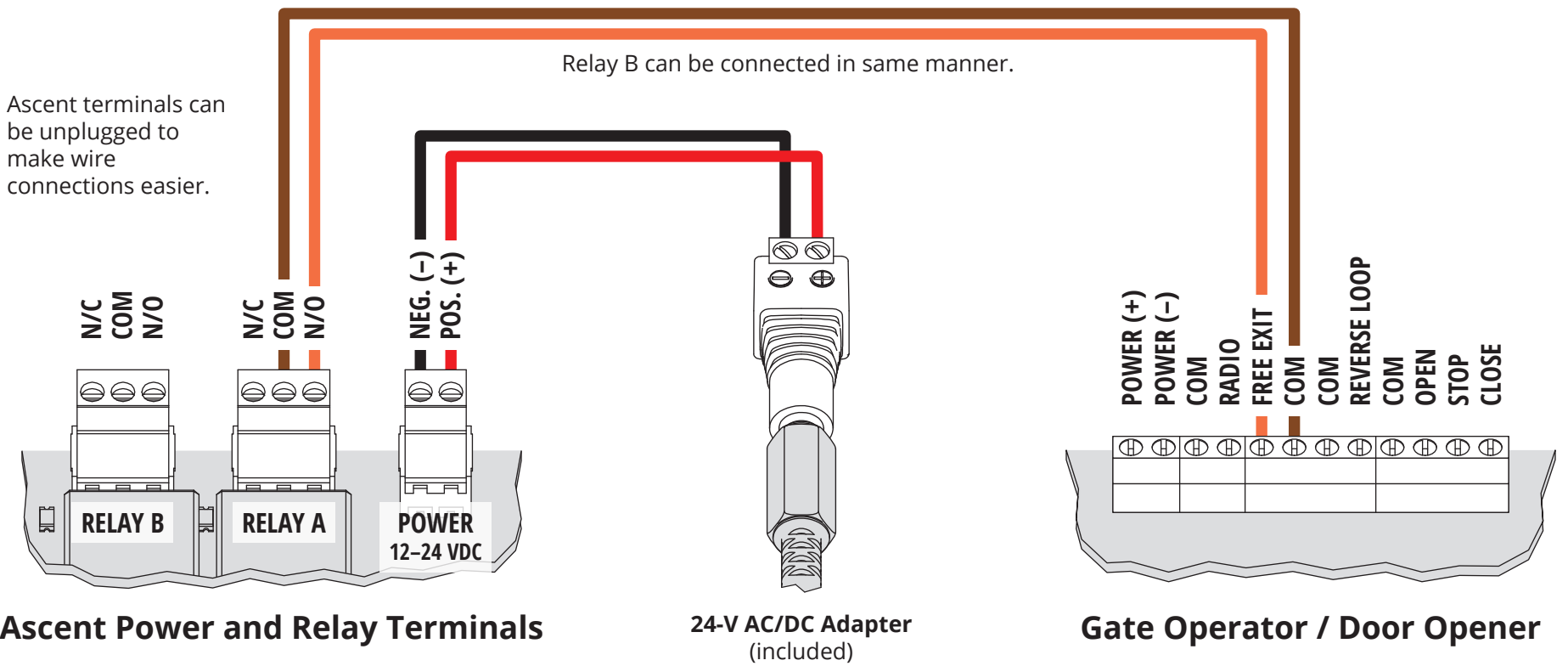
Additional wiring diagrams can be found below and online.

**CAUTION**

When connecting the power supply, remember to connect positive to positive and negative to negative to avoid damage.

**Reversing polarity can damage the unit and void the warranty!**

We recommend using 18-gauge stranded wire for all connections.



**STOP**

Before going forward, double check all wiring and make sure the unit has power!

A wiring diagram for connecting to Wiegand devices can be found below.

For connecting accessories not mentioned, please scan the QR code on this page.

**Make sure the gate path is clear before completing Step 5!**

**5** Key in temporary code 2012 on keypad and confirm gate/door opens. If it does, close and lock unit.

2 0 1 2

Adding and deleting codes is done through Summit Control and **NOT** from keypad on unit!

**INSTALLATION COMPLETE!**

Now follow the **Activation Guide** to create an account and begin using Ascent.

## A Wiegand Device

Feed wires through back of unit, and connect as shown using included screwdriver.

These terminals are used to connect a Wiegand device such as a card reader or Wiegand keypad.

Either set of Wiegand terminals can be used for wiring and then configured in Summit Control.

**CAUTION**

Disconnect power to the Ascent unit before connecting Wiegand devices.

**Failure to disconnect power can damage the unit!**

**Need More?**

Use the QR code below to get access to more resources, including how-to videos and additional wiring diagrams for connecting accessory devices.

