



1 Unpack box and make sure you have all items shown here.

Ascent Unit 24-V AC/DC Adapter Key Screwdriver 4G LTE Antenna Extension Kit, 5 Foot

Antenna Cable Reference

4G
Connect to board (MAIN ANT)

WIFI
Connect to board (WIFI&GNSS ANT)

ISM
For Ascent Link (See Install Guide)

2 Measure and make cutout in wall or surface where desired. (If mounting in drywall, make sure a stud is available.)

Rough-In Size:
16" (H) x 11" (W)

3 Unlock and open unit for mounting, wiring, and setup. (Remove preferred knockouts now, if you like, or do it later.)

4 Gently slide Ascent unit into opening until trim ring is flush against wall/surface.

5 Mount antenna in unobstructed location, run cables into back box, and connect (see Antenna Cable Reference).

a If you need more reach, you may consider the 4G LTE 25-ft Omni Antenna Extension Kit (16-ANTOMNI).

b

IMPORTANT

This Ascent unit **WILL NOT WORK** until the activation process is **COMPLETE!**

See the included **Activation Guide** to get this unit activated.

If you need help or have any questions, please contact **Summit Control** at **(972) 474-6422**.

WARNING

AUTOMATIC GATES CAN CAUSE SERIOUS INJURY OR DEATH!

ALWAYS CHECK THAT THE GATE PATH IS CLEAR BEFORE OPERATING!

REVERSING OR OTHER SAFETY DEVICES SHOULD ALWAYS BE USED!

6 Secure Ascent unit by screwing into stud(s) or other support material. (Mounting hardware not included)

Drill holes in back box first, and then mount using screws suitable for material (e.g., wood screws).

ISM antenna cable is only connected when using Ascent Link products.

STOP

This is a cellular accessory for a gate or door. An uninterrupted cellular connection **CANNOT BE GUARANTEED!**

An emergency egress or primary entry mechanism **SHOULD ALWAYS BE USED!** (transmitter, fire box, mechanical release)

Consult with your dealer, distributor, and/or system designer for more information.

What's what?

All important components labeled

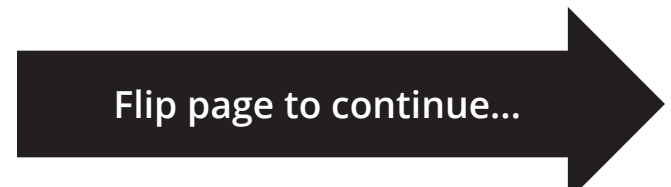
Unit shown with door fully open. Internal wiring not shown for clarity.

- Antenna Jacks and SIM Card**
Positioned on rear circuit board. Connect "WIFI" antenna cable to top jack and "4G" antenna cable to bottom jack. Middle jack is empty.
- Power Terminals**
For wiring to included power supply. See Page 2.
- Wiegand Terminals**
For wiring to Wiegand devices. See Page 2.
- Digital Input Terminals**
For connecting accessory devices. Scan QR code on next page for wiring instructions.
- Relay Status LEDs**
Relay is active when lit
- Relay Terminals**
For wiring to gate operator or door opener. See Page 2.
- Ascent Link DIP Switches**
Used for pairing Ascent Link products

"ISM" Antenna is only used if using Ascent Link wireless mesh products.

NEED HELP

Call (972) 474-6422
Email support@summitcontrol.com
We are available **Mon-Fri / 8am-5pm Central**



7 Connect wires

Feed wires through back of unit, and connect as shown using included screwdriver.

Consult gate/door opener manual for exact connections.
Terminals vary widely across manufacturers and models.

Additional wiring diagrams can be found below and online.

CAUTION

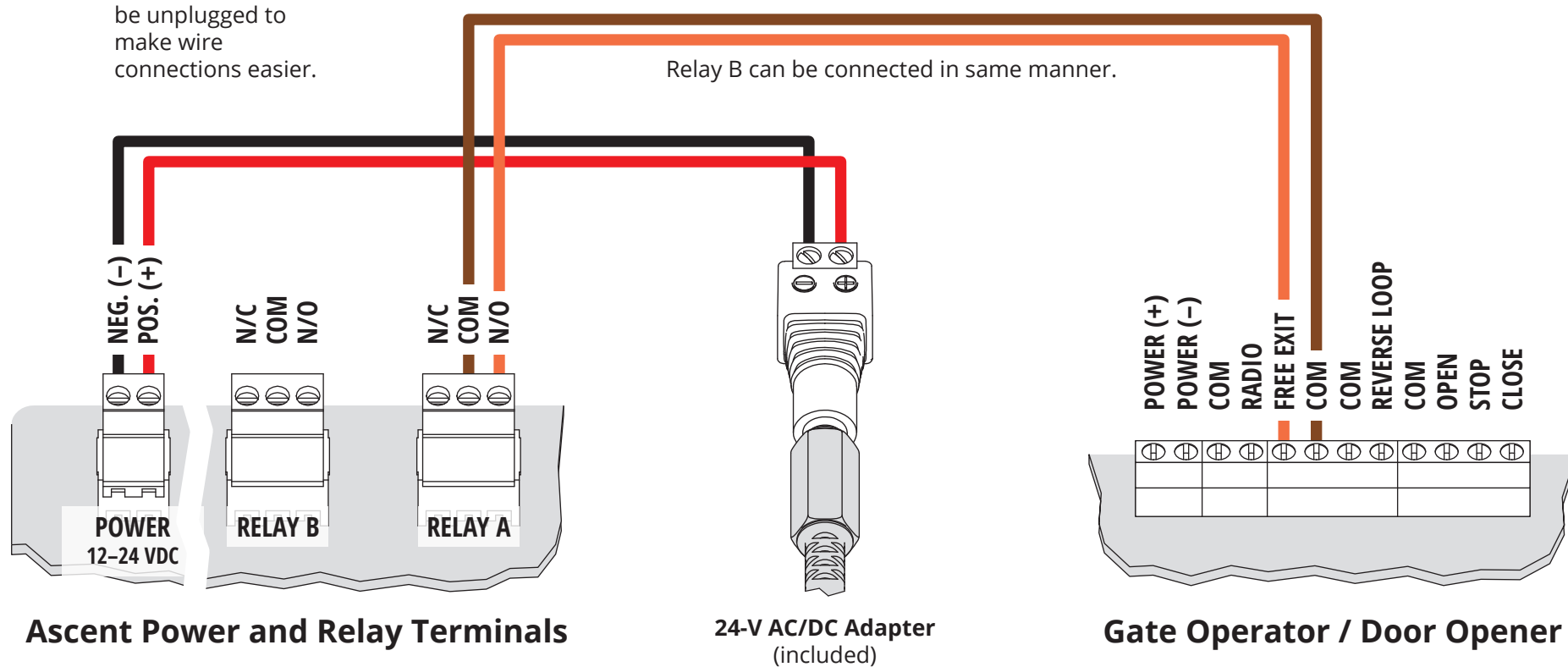
When connecting the power supply, remember to connect positive to positive and negative to negative to avoid damage.

Reversing polarity can damage the unit and void the warranty!

We recommend using 18-gauge stranded wire for all connections.

Ascent terminals can be unplugged to make wire connections easier.

Relay B can be connected in same manner.



STOP

Before going forward, double check all wiring and make sure the unit has power!

A wiring diagram for connecting to Wiegand devices can be found below.

For connecting accessories not mentioned, please scan the QR code on this page.

Make sure the gate path is clear before completing Step 5!

8 Key in temporary code 2012 on keypad and confirm gate/door opens. If it does, close and lock unit.

2 0 1 2

Adding and deleting codes is done through Summit Control and **NOT** from keypad on unit!

INSTALLATION COMPLETE!

Now follow the **Activation Guide** to create an account and begin using Ascent.

A Wiegand Device

Feed wires through back of unit, and connect as shown using included screwdriver.

These terminals are used to connect a Wiegand device such as a card reader or Wiegand keypad. Any set of Wiegand terminals can be used for wiring and then configured in Summit Control.

CAUTION

Disconnect power to the Ascent unit before connecting Wiegand devices.

Failure to disconnect power can damage the unit!

Need More?

Use the QR code below to get access to more resources, including how-to videos and additional wiring diagrams for connecting accessory devices.



Ascent terminals can be unplugged to make wire connections easier.

