



**1** Carefully unpack box.

**2** Make sure you have everything shown here.

Keypad Unit

Gasket

Mounting Screws  
( 2x )

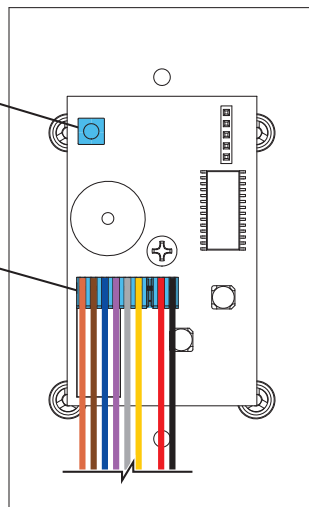
**3** Prepare existing or install new single-gang junction box to which keypad unit will be mounted after wiring and testing.  
(Junction box is not included.)

## What's what?

Important components labeled

**Reset Button**  
For performing reset procedures

**Wire Harness**  
For wiring to gate operator or door opener, accessories, and power  
**POWER MUST BE 7-14 VDC!**



**Keypad Unit**  
Back of unit shown

### Wire Harness Guide

	Orange	N/O (Relay A, Main)
	Brown	COM (Relay A, Main)
	Blue	N/C (Relay A, Main)
	Purple	N/O (Relay A, Aux)
	Gray	COM (Relay A, Aux)
	Yellow	N/C (Relay A, Aux)
	Red	Power (+)
	Black	Power (-)

**NOTE:** The Relay A, Aux wires are included for alarm shunt wiring.

## ! CAUTION!

Double check your wires! You must wire from positive on keypad unit to positive on your power source and negative on keypad unit to negative on your power source.

**Reverse polarity can damage keypad unit!**

## ! WARNING!

**AUTOMATIC GATES CAN CAUSE SERIOUS INJURY OR DEATH!**

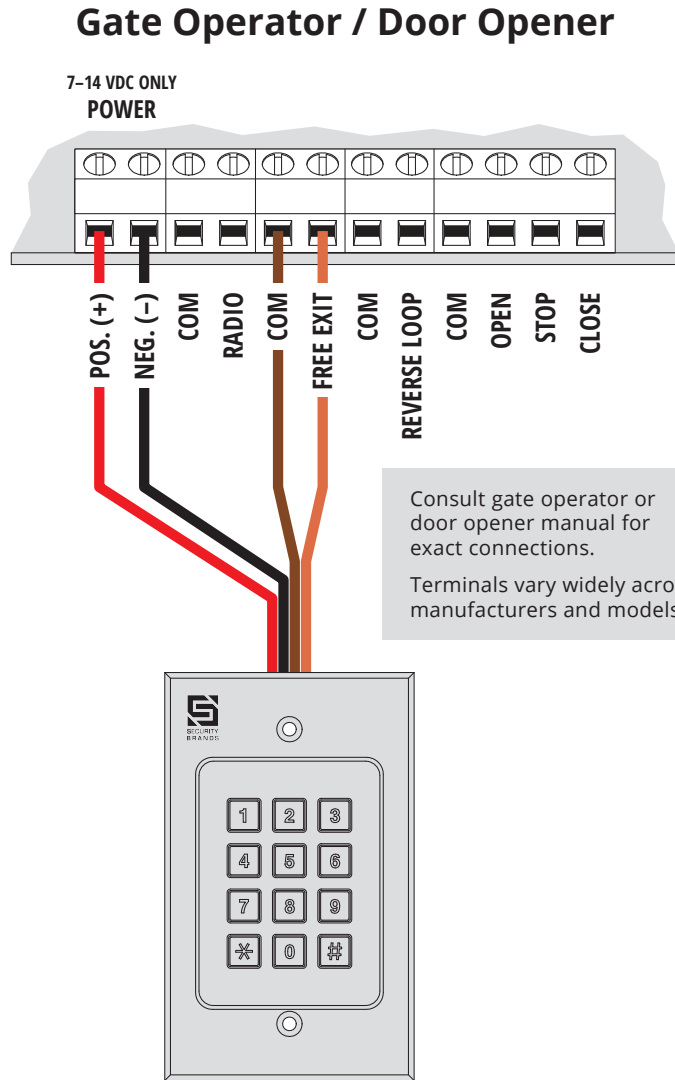
**ALWAYS CHECK** that the **GATE PATH IS CLEAR BEFORE OPERATING!**

**REVERSING** or other **SAFETY DEVICES** should **ALWAYS BE USED!**

Continued on next page...

## 4a Make the connections

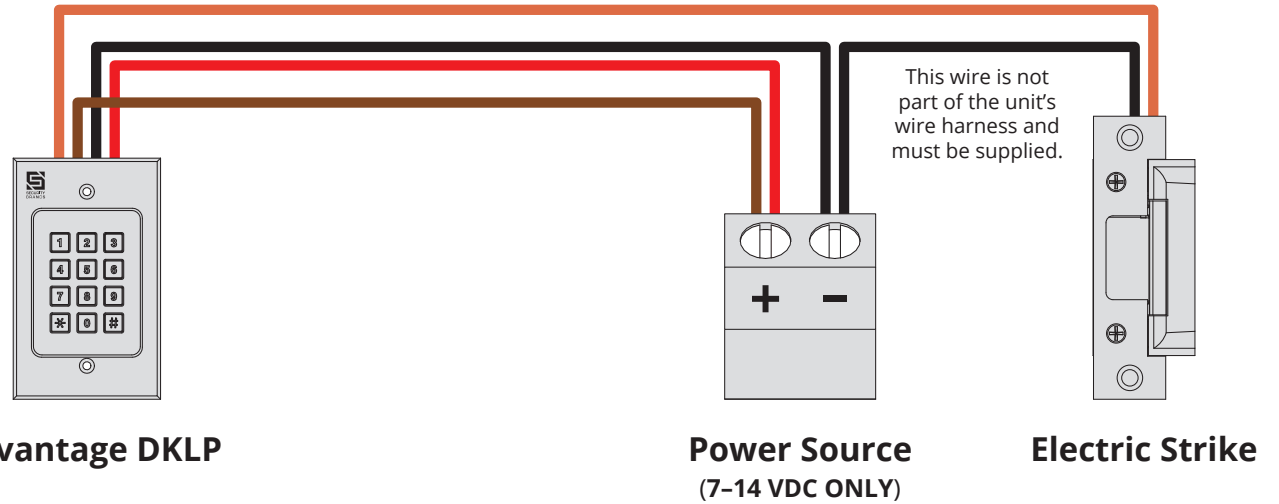
Wiring for Gate Operator or Door Opener



Advantage DKLP

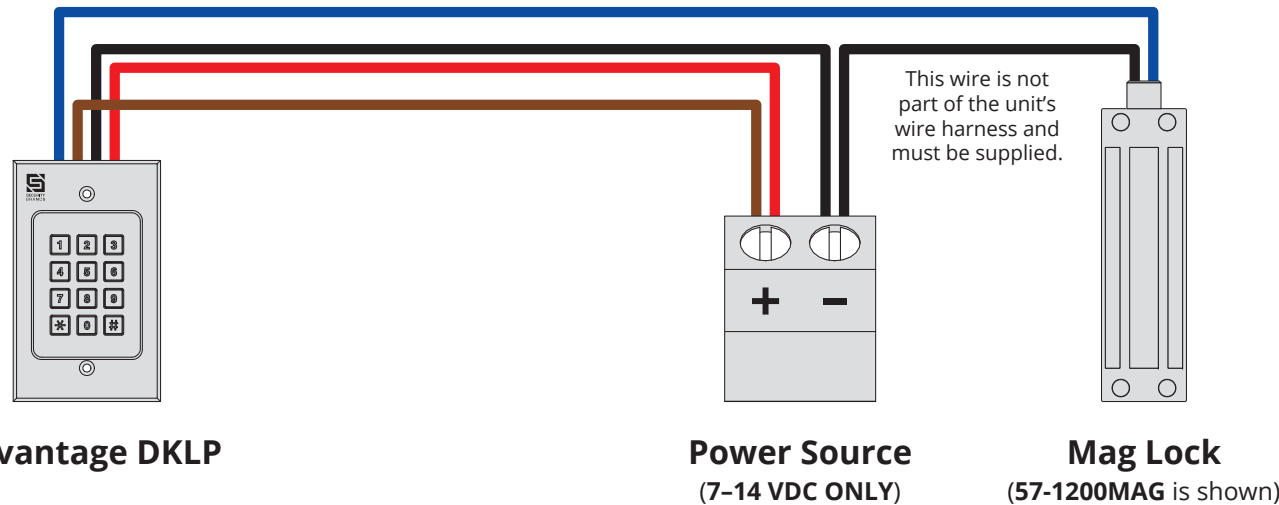
## 4b Make the connections

Wiring for Electric Door Strike



## 4c Make the connections

Wiring for Mag Lock



**5 Add Access Code(s).**  
(To add multiple codes, enter each of them before pressing pound key)

1 2 5 1 → 1 → ? ? ? ? → #

Master Code (can be changed)      Sub Mode      Access Code(s) (4 digits; numbers only)

**NOTE:** The Master Code is for programming only and will not trigger the relay. The green arrow indicates a "good" tone on the keypad. An incorrect entry will sound a "bad" tone.

**6 Make sure gate path is clear; then enter access code on keypad and confirm gate opens.**

**7 Secure keypad unit to junction box using included screws.**  
(Gasket is optional if mounted indoors.)

## A1 Additional Programming

**Delete Code(s)**  
(To delete multiple codes, enter each of them before pressing pound key)

1 2 5 1 → 2 → ? ? ? ? → #

Master Code (can be changed)      Sub Mode      Code(s) to Be Deleted (4 digits; numbers only)

**Change Master Code**

1 2 5 1 → 3 → ? ? ? ? →

Current Master Code (1251 is default)      Sub Mode      New Master Code (4 digits; numbers only)

**Set Latch Code**

1 2 5 1 → 5 → ? ? ? ? →

Master Code (can be changed)      Sub Mode      Latch Code (4 digits; numbers only)

### Things to Know

**The Star Key (\*)**  
The star key deletes your current entry. If you happen to make a mistake keying in a code, simply press the star key to delete the entire entry and start over.

**The Pound Key (#)**  
The pound key is good for one thing and one thing only: exiting Programming Mode. Whenever you're in Programming Mode, simply press the pound key to get out.

**Master Reset Procedure**  
If for some reason the Master Code and/or Latch Code is forgotten, a reset procedure is available to remedy the situation. This procedure can be found on **Page 4** of this guide.

**NOTE:** Green arrow indicates "good" tone on keypad. Always wait for good tone before moving on.

**INSTALLATION COMPLETE!**

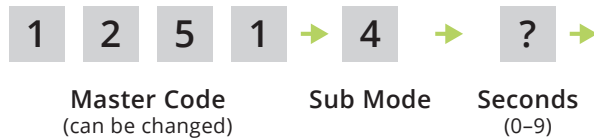
Your system is ready to use.

## Programming Sub Modes

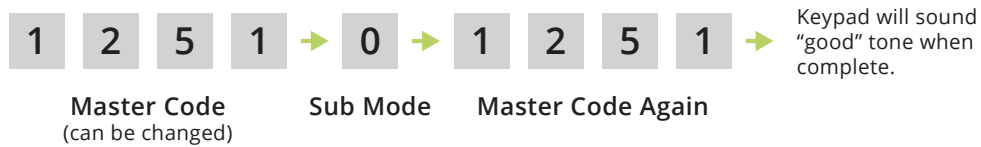
- 1 Add Access Code(s)
- 2 Delete Code(s)
- 3 Change Master Code
- 4 Set Relay Output Time
- 5 Set Latch Code
- 0 Delete All Codes

**A2 Additional Programming (continued)**

**Set Relay Output Time**



**Delete All Codes (Cannot Be Undone)**



**NOTE:** Green arrow indicates "good" tone on keypad. Always wait for good tone before moving on.

**B Master Reset Procedure**

This procedure is used if the Master Code is unknown, or if the Latch Code is unknown and the unit is in Latch Mode. All other codes will be retained after completing this procedure.

**NOTE:** If an error is made during these procedures, an "error" tone will sound, and you must start again from the beginning.

**Step 1 - Remove keypad unit from junction box by unscrewing mounting screws.**

**Step 2 - Disconnect power.**

Gently unhook Wire Harness connector from circuit board. Note orientation of connector.

**Step 3 - Press and hold Reset Button; reconnect power; then release Reset Button.**

Gently reattach Wire Harness connector to circuit board. Unit will sound one (1) tone. Release Reset Button after you hear tone.

The Master Code is now reset to default (1251).

**Step 4 - Reinstall keypad unit in junction box.**



Call (972) 474-6390  
 Email [techsupport@securitybrandsinc.com](mailto:techsupport@securitybrandsinc.com)  
 We are available **Mon-Fri / 8am-5pm Central**

