

ADVANTAGE DKLP ECONOMY



19-100E

100-CODE LOW-POWER ECONOMY KEYPAD

FEATURES

- Low current draw
- Control 1 gate/door
- 100 four-digit code capacity
- Personal master code
- Latch code
- Variable relay time
- Alarm shunt
- Audible-tone feedback
- Non-volatile memory



ADVANTAGE

SOLID ACCESS CONTROL FOR OVER 35 YEARS

SIMPLE AND ON BUDGET

This is a keypad that is incredibly easy to program and use and fits any budget.

GOES WHERE YOU GO

With such a low current draw, this unit can be located in the remotest of locations, as long as sunlight is sufficient.

STURDY AND DURABLE

Crafted exclusively from stainless and powder-coated steel, this unit is built to last!

PROGRAMMING YOU KNOW

Quick, simple, and familiar, the basic programming steps on the keypad are identical to those on all of our keypads.



SPECIFICATIONS

PHYSICAL

Dimensions 5.41"(H) x 4.07"(W) x 3.38"(D)
 Shipping Weight 3 lbs.

ELECTRICAL

Input 12 VDC
 Current Draw less than 1.1 mA @ 12 VDC standby
 less than 6.0 mA @ 12 VDC with relay latched

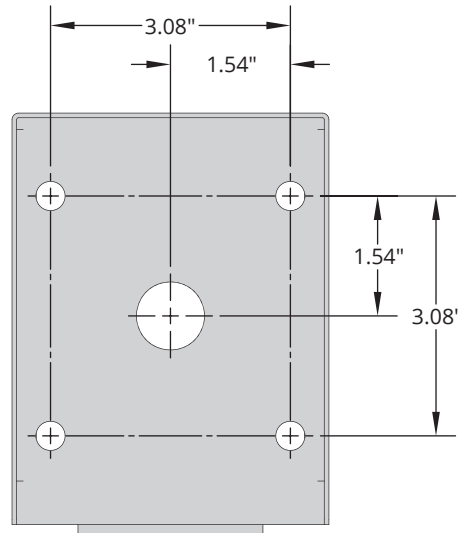
RELAY

Contact Rating 2 A @ 30 V / .5 A @ 120 V
 DC Load / AC Load
 Max Switching Voltage 125 V / 125 V
 Max Carrying Current 2 A / 2 A
 Max Switching Power 24 W / 60 VA
 Variable Relay Time 1-9 seconds

ENVIRONMENTAL

Operating Temperature -15 to 175 °F

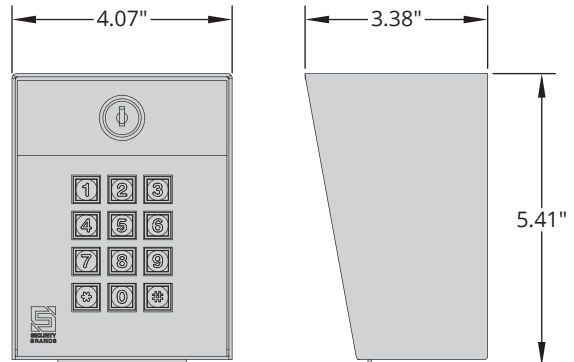
MOUNTING



Hole Sizes

Wiring pass through 0.88"
 Mounting holes (x4) 0.38"

Unit includes mounting hardware.



RELATED PRODUCTS



19-100SG
 Advantage DKLP
 100-Code Single-Gang Keypad



19-1001
 Advantage DKLP
 100-Code Keypad w/ Intercom



26-500
 Advantage DKE
 500-Code Economy Keypad



27-210
 Edge E1
 Smart Keypad



14-500
 Ridge 2.0
 433-MHz Keypad and Transceiver

For more information, visit us online:
securitybrandsinc.com

 **SECURITY BRANDS INC**TM
 your *partner* in access control

☎ (972) 474-6390

✉ sales@securitybrandsinc.com

📍 2210 Executive Dr
 Garland, TX 75041