

ASCENT T¹



16-T1

CELLULAR TELEPHONE ENTRY SYSTEM

FEATURES

- 4G LTE cellular
- Ascent Link integration
- Control up to 2 gates/doors
- Cloud-based access control management
- Up to 10,000 app, text, and voice users
- Rollover calling—up to 3 phone numbers
- Broadcast calling—up to 10 phone numbers
- Push and/or email event and status notifications
- 7-day timers
- Holiday timers and special-event timers
- Temporary users with permission limits
- Audit trail with detailed reports
- “Do Not Disturb” mode



Ascent Camera not available on this model



powered by  **SUMMIT CONTROL**

GET THE SUMMIT CONTROL APP



VERSATILE AND CONVENIENT

Control your gate or door from anywhere using a computer, tablet, or phone.

TELEPHONE ENTRY MADE EASY

When you need a telephone entry system that truly works for you, look no further! And Summit Control makes setup a cinch.

NO-HASSLE INSTALLATION

Connect as few as four wires and that's it! We've removed the hassle from installation.

GET CONNECTED EVERY TIME

Assign multiple phone numbers to be called in order or simultaneously upon call button press, ensuring a connection is always made.



SPECIFICATIONS

PHYSICAL

Dimensions 6.85"(H) x 7.45"(W) x 5.25"(D)
 Shipping Weight 6 lbs.

ELECTRICAL

Input 12-24 VAC/DC
 12-VDC power supply included (PS-12DC1)
 Current Draw less than 190 mA @ 12 VDC
 less than 160 mA @ 24 VDC
 with relay latched and backlit components on

RELAY

Contact Rating 10 A @ 120 VAC / 24 VDC
 Max Switching Voltage 250 VAC / 30 VDC
 Max Switching Current 15 A
 Max Switching Power 240 W / 2,770 VA

COMMUNICATION





Cellular Network 4G LTE

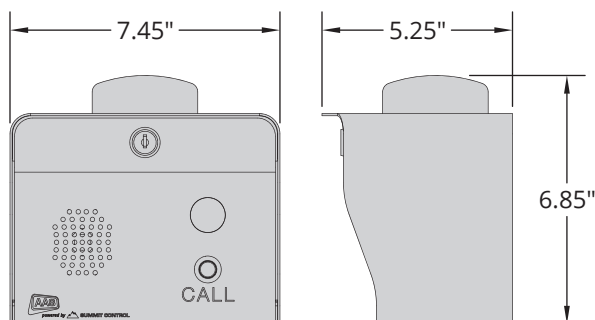
ENVIRONMENTAL

Operating Temperature -15 to 158 °F

CONTROL IT YOUR WAY

2ND
DOOR

-  APP
-  TEXT
-  VOICE
-  CALL BUTTON



▲ Actual voltage should be no more than 10% beyond specified range.
 Use of the included 12-VDC power supply is recommended.

GET STARTED NOW!

PAY JUST **ONE BILL!***

Unit includes a GSM SIM card ready for activation.

We do ALL the legwork for you!



SUMMIT CONTROL

it's that simple!

visit summitcontrol.com



* Monthly bill covers cost of SIM card, actions gateway, servers, maintenance, development, app, and tech support.

For more information, visit us online:
securitybrandsinc.com



SECURITY BRANDS INCTM
 your *partner* in access control