

CUSTOM ENCLOSURE



10-010

CUSTOM POLYCARBONATE POST-MOUNT ENCLOSURE

FEATURES

- Polycarbonate construction
- Removable faceplate
- All-metal cam lock
- Pilot holes/guides for device mounting
- Pilot holes/guides for pedestal mounting
- Pilot hole/guides for pass-through



STRONG AND SECURE

An all-metal cam lock and a strong design means nobody messes with your stuff.

MOUNT ANYTHING

With three sets of pilot holes and guides spaced across the faceplate, your options for devices are unlimited.

STURDY AND DURABLE

All our products are made from high-quality materials that will last for years to come.

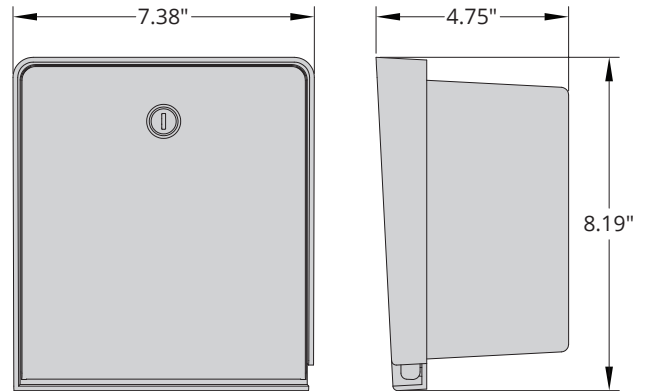
MOUNT ANYWHERE

This enclosure was designed to mount to a pedestal or to be recessed in a wall with a pilot hole and guides for the pass-through.

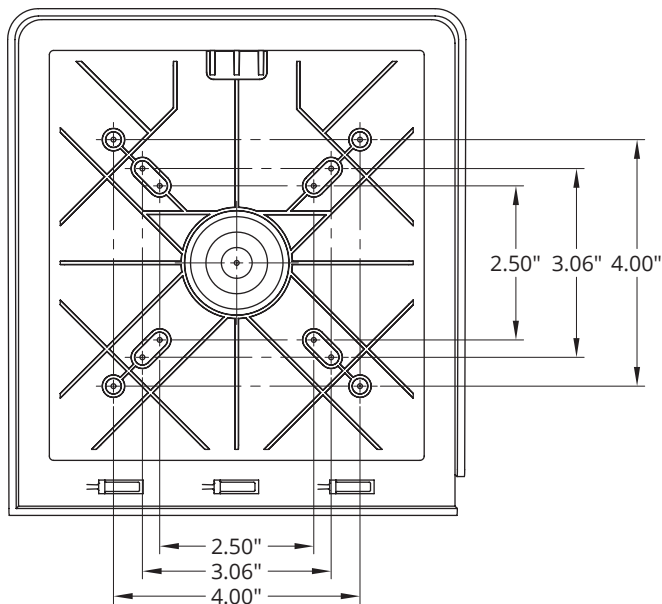
SPECIFICATIONS

PHYSICAL

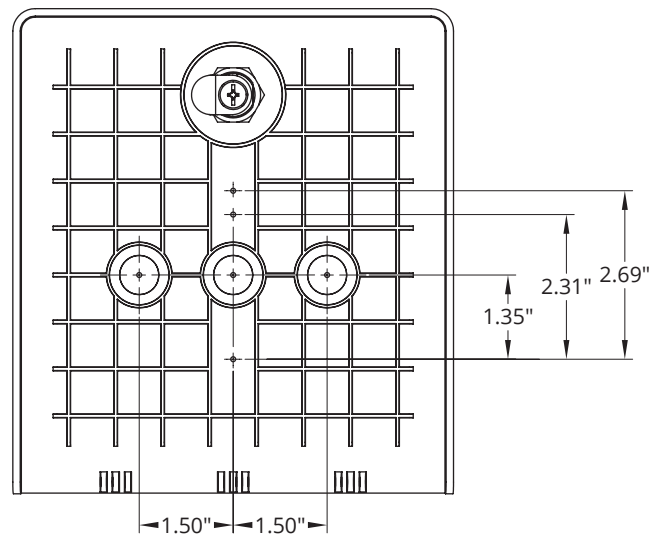
Dimensions	8.19"(H) x 7.38"(W) x 4.75"(D)
Shipping Weight	3 lbs.



ENCLOSURE MOUNTING



DEVICE MOUNTING



Pedestal Mounting

Guides sized for 1/4-inch screws.

Recessed Mounting

Rough-In Dimensions: 6-13/16" (W) x 6-1/4" (H)
Minimum Depth: 3-1/2"

Pass-Through Guides

Guides given for 1/2", 1", and 1-1/2" holes.

For more information, visit us online:
securitybrandsinc.com

