

SECUREPASS CR



40-CR SERIES

WIEGAND PROXIMITY CARD READERS

FEATURES

- Control 1 door
- 26- and 37-bit Wiegand protocol
- Reads SecurePass, HID®, MIFARE®, and EM cards/fobs*
- Audible-tone and LED feedback
- Tamper-resistant cover
- Durable metal-alloy (CR1) or PC-ABS construction (CR2)
- IP65 weather rating for indoor or outdoor use

WORKS WITH

- Ascent family (select models)
- Edge family
- Other 26- and 37-bit Wiegand controllers



FLEXIBLE FOR YOU

From HID, MIFARE, and EM, to SecurePass, our card readers read them all.

INDUSTRY STANDARD

Taking advantage of the industry standard Wiegand protocol, our card readers will work with any 26- or 37-bit Wiegand controller.

GOES WHERE YOU NEED THEM

Mount it to a wall, a mullion, or the faceplate of one of our access control systems.

TOUGH AND DURABLE

Durable construction, potted circuitry, and tamper-resistant covers allow these card readers to withstand and endure.



SPECIFICATIONS

PHYSICAL

Dimensions (40-CR1)	4.04"(H) x 1.88"(W) x 0.87"(D)
Dimensions (40-CR2)	4.22"(H) x 1.90"(W) x 0.92"(D)
Shipping Weight	1 lb.

ELECTRICAL

Input	12 VDC ± 10% supplied by Wiegand controller
-------	--

COMMUNICATION

Wiegand Format	26 bit, 37 bit
Wiring	18-inch pigtail

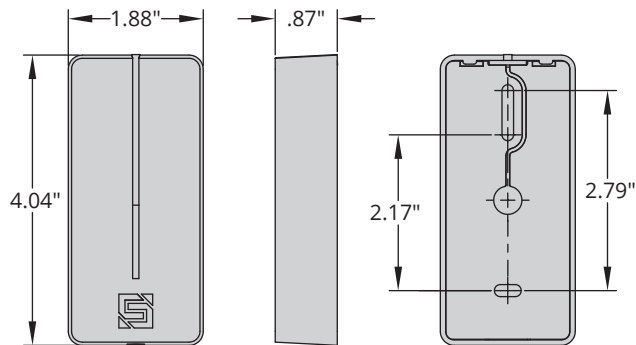
ENVIRONMENTAL

Operating Temperature	-4 to 122 °F
Enclosure Rating	IP65

CONNECTIVITY

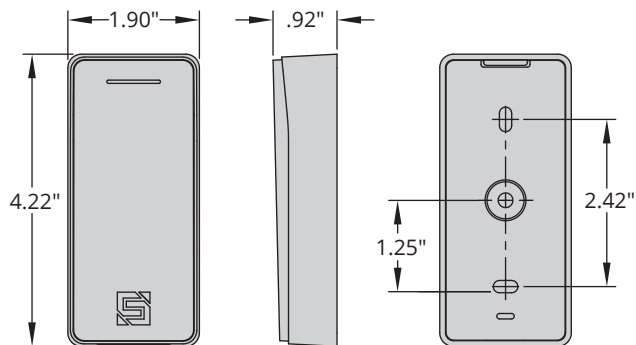


DIMENSIONS



40-CR1

Includes screws and anchors for surface mounting



40-CR2

Includes screws and anchors for surface mounting

RELATED PRODUCTS



SECUREPASS CARD
RFID Proximity Card
40-C



SECUREPASS FOB
RFID Fob
40-F



SECUREPASS TR
Wiegand Mid-Range Vehicle Tag Reader
40-TR1

For more information, visit us online:
securitybrandsinc.com

