

SECUREPASS CR¹



40-100

WIEGAND PROXIMITY CARD READER

FEATURES

- Control 1 door
- 26- and 37-bit Wiegand protocol
- Reads SecurePass, HID®, MIFARE®, and EM cards/fobs*
- Audible-tone and LED feedback
- Tamper-resistant cover
- Durable metal-alloy construction
- IP68 weather rating for indoor or outdoor use

WORKS WITH

- Ascent family (select models)
- Edge family
- Other 26- and 37-bit Wiegand controllers



FLEXIBLE FOR YOU

From HID, MIFARE, and EM, to SecurePass, our card reader reads them all.

INDUSTRY STANDARD

Taking advantage of the industry standard Wiegand protocol, our card reader will work with any 26- or 37-bit Wiegand controller.

GOES WHERE YOU NEED IT

Mount it to a wall, a mullion, or the faceplate of one of our access control systems.

TOUGH AND DURABLE

Durable metal-alloy construction, potted circuitry, and a tamper-resistant cover allow this card reader to stand up to the elements.



SPECIFICATIONS

PHYSICAL

Dimensions 4.04"(H) x 1.88"(W) x 0.87"(D)
Shipping Weight 1 lb.

ELECTRICAL

Input 12 VDC ± 10%
supplied by Wiegand controller

COMMUNICATION

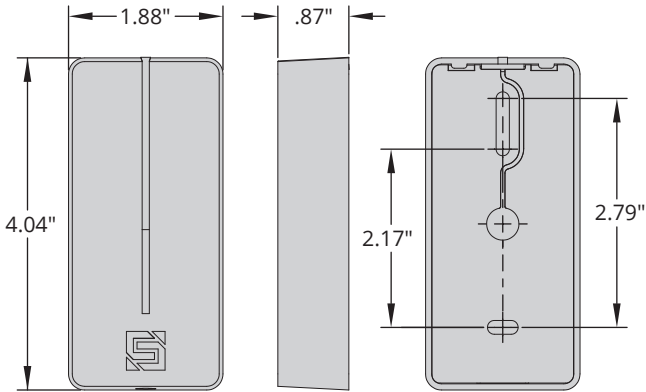
Wiegand Format 26 bit, 37 bit
Wiring 18-inch pigtail

ENVIRONMENTAL

Operating Temperature -4 to 122 °F

CONNECTIVITY

WIEGAND



Includes screws and anchors for surface mounting

RELATED PRODUCTS



SECUREPASS CARD
RFID Proximity Card
40-C



SECUREPASS FOB
RFID Fob
40-F



SECUREPASS TR1
Wiegand Mid-Range Vehicle Tag Reader
40-200

For more information, visit us online:
securitybrandsinc.com



HID is a registered trademark of HID Global Corporation.
MIFARE is a registered trademark of NXP B.V.