



WIRING GUIDE

RemotePro KP with Intercom (12-000I) to Third-Party Base Station

NEED HELP

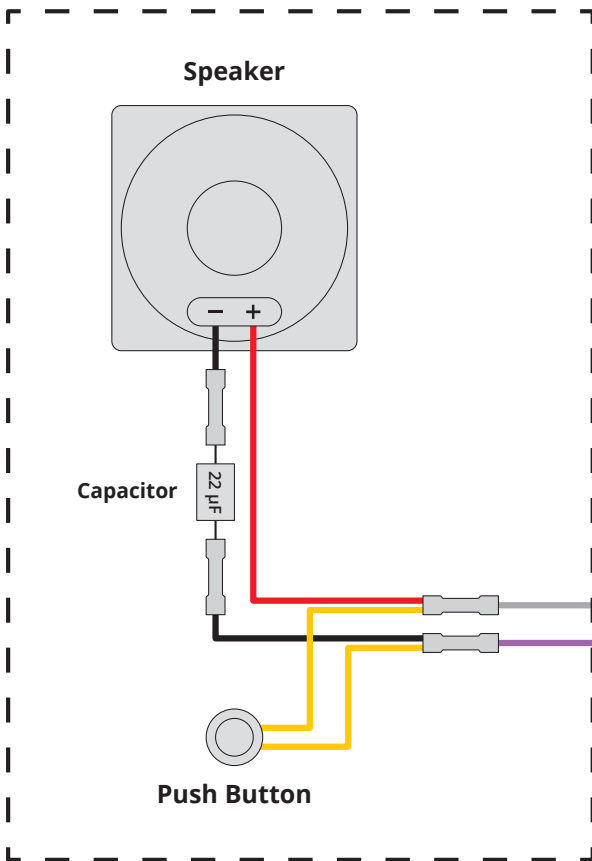
Call (972) 474-6390

Email techsupport@securitybrandsinc.com

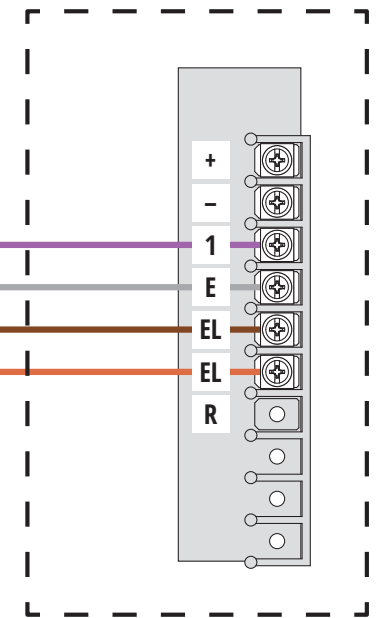
We are available **Mon-Fri / 8am-5pm Central**



12-000I



Base Station



Refer to base station manual for wiring requirements.

To Gate Operator
Open Input

SECURITY BRANDS INC[™]
your *partner* in access control